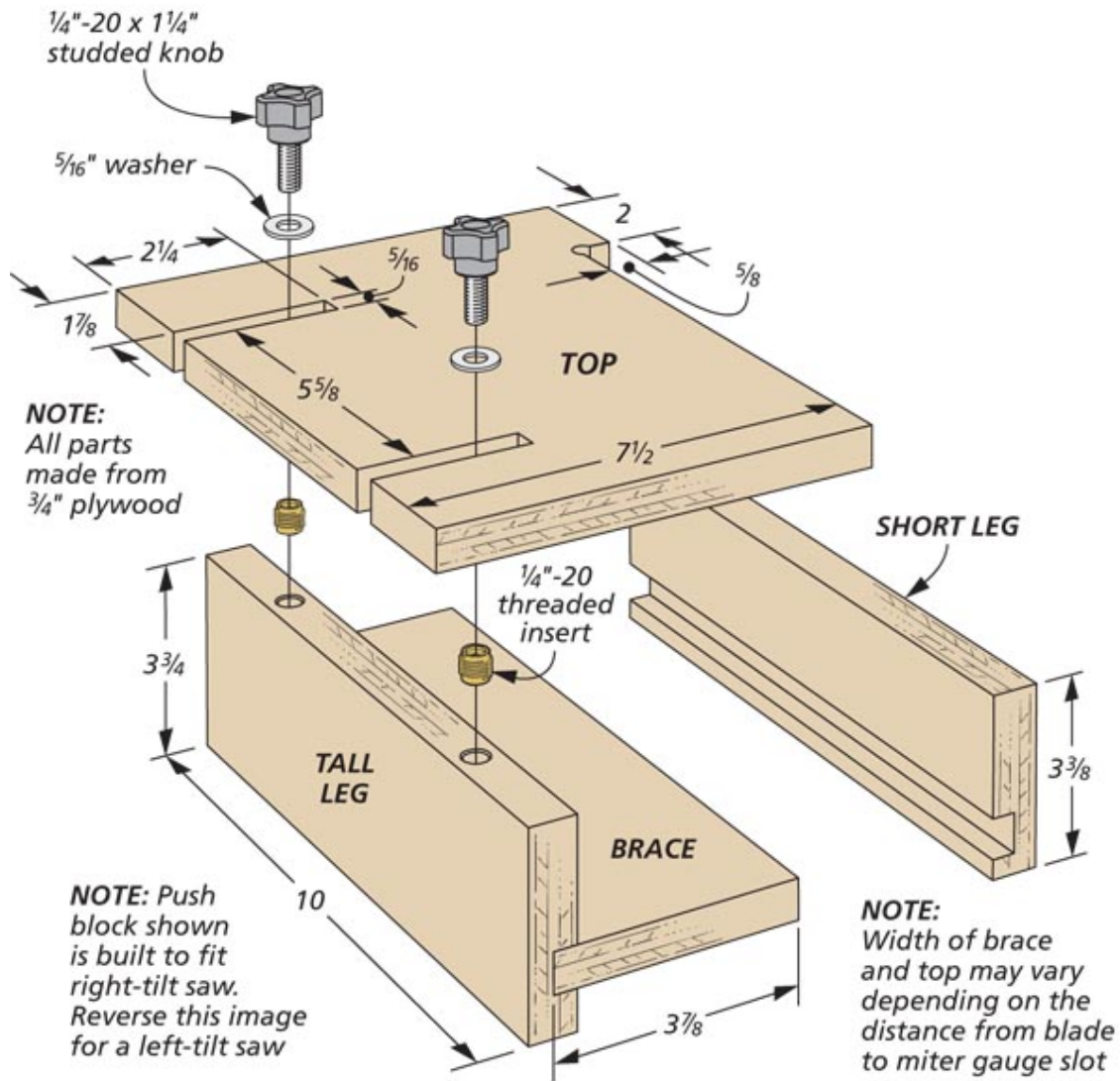


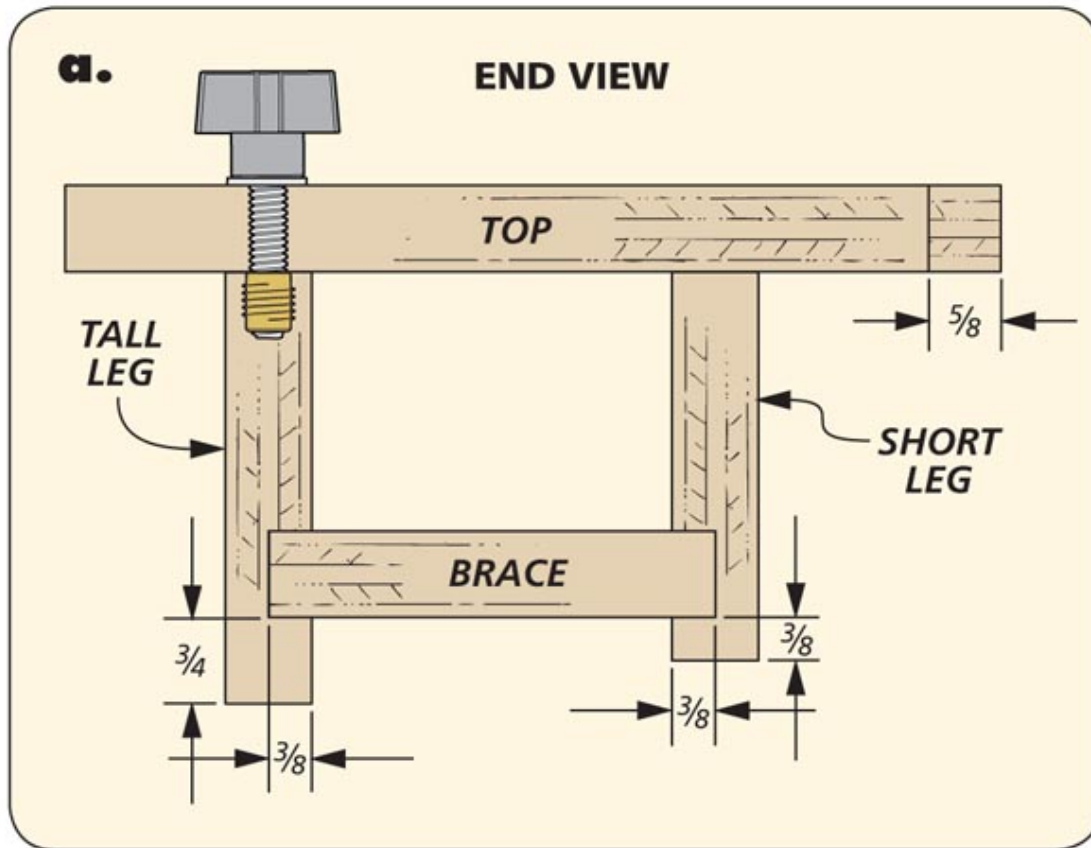


I make a lot of raised panels on the table saw. But it can be a challenge keeping the panel upright as you make the cut. To help stabilize the panel, I made this tall push block. As you can see, the jig holds the panel snug against a tall auxiliary fence.



If you take a look at the drawing, you'll see that the jig is made from four pieces of plywood.

The top of the jig is adjustable so that panels of any thickness can be cut using the same block. A notch at the back of the top pushes the panel through the blade.



The outside leg of the jig is longer so it can ride in a miter slot in the saw table. This keeps the block aligned with the fence. Each leg has a groove to hold the brace.

To set up the jig, all you need to do is loosen the knobs and move the top until it fits against the panel you're cutting. Now you can make smoother cuts for the perfect panel.