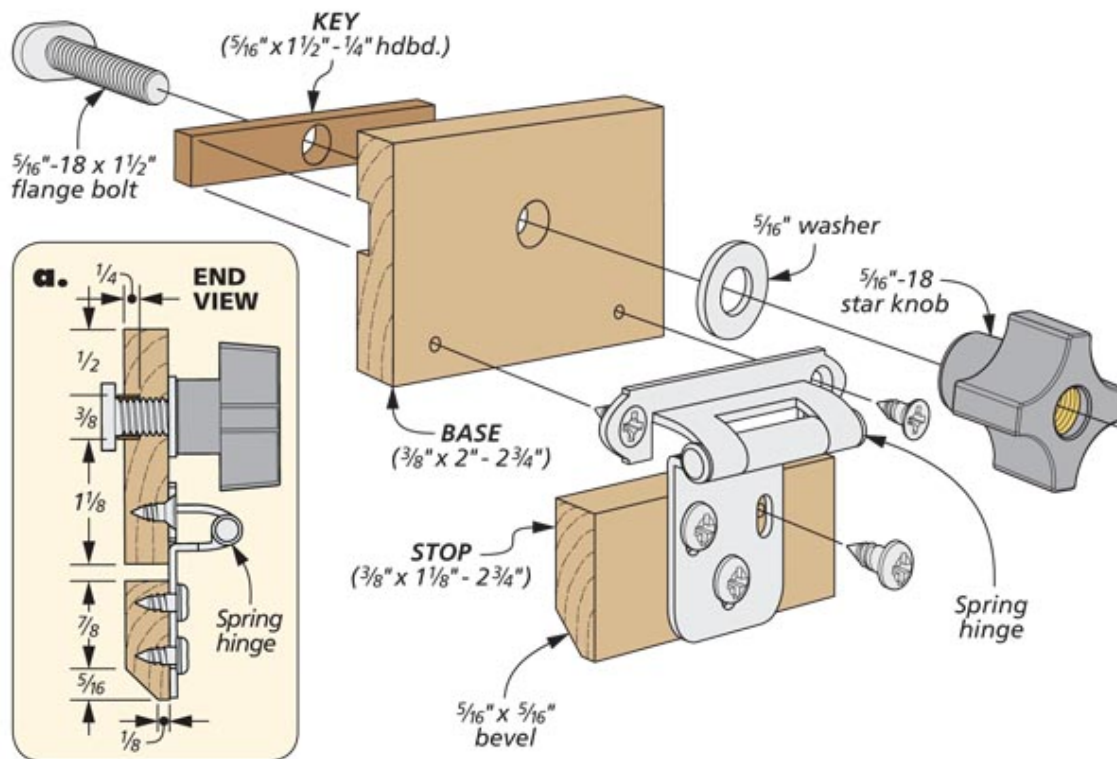


A flip-up stop block is a great addition to any router table or table saw miter fence. The bottom block just flips up out of the way when not in use.

It gives you the flexibility of leaving the block attached to the fence when it's not in use. And that can save valuable set-up time.



I used a spring hinge to keep the block raised when it's not in use. As you can see in the drawing, the spring hinge is attached to the face of each piece. The top piece holds the flange bolt and knob that keep the block in place in the fence track. I cut a bevel in the bottom block to help prevent sawdust build-up.