



Woodsmith **PLANS**

DADO BLADE STORAGE CASE



DADO BLADE STORAGE CASE

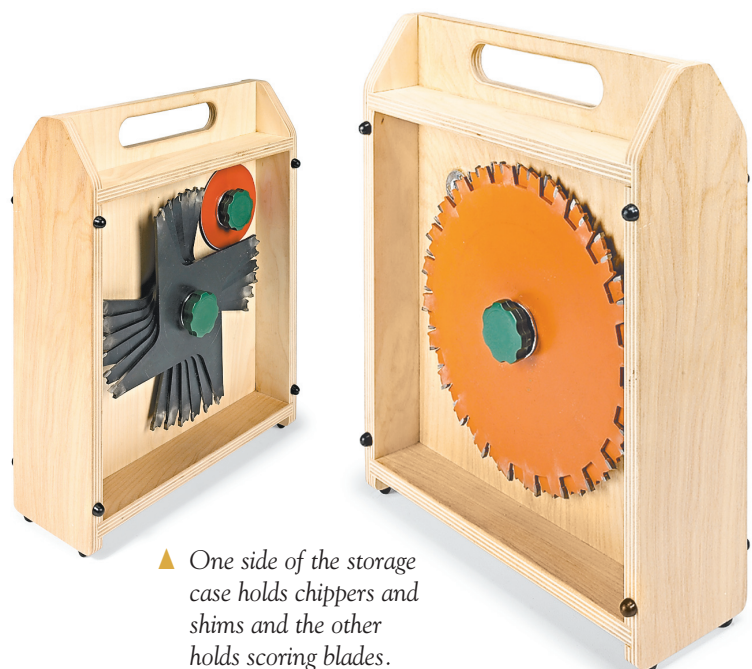
Use your dado blade to build this handy storage case and keep blades, chippers, and shims organized and protected.



It seems like I use the dado blade in my shop almost every day. So it didn't take long for the cardboard box the blade came in to fall apart.

So I made an easy-to-build, two-sided storage case to keep all the parts together and within reach. One side holds the scoring blades and the opposite side holds the chippers and shims, as in the photo on the right. Using $\frac{1}{2}$ " Baltic birch plywood and basic dado joinery keeps the case lightweight but sturdy.

GETTING STARTED. If you take a look at the drawing on page 2, you can see how the case goes together. Since the sides and bottom are the same width and will share the same center groove, I found that it's easiest to make them all at the same time.



▲ One side of the storage case holds chippers and shims and the other holds scoring blades.

Then, after cutting the pieces to size, I put the dado blade on my table saw and cut the dados in the sides for the bottom and two top pieces. I cut a groove right down the middle of each side to hold the center panel. Using the same setup, I cut the groove in the bottom.

Next, the bottom corners were rounded and the top edges mitered to eliminate the sharp corners.

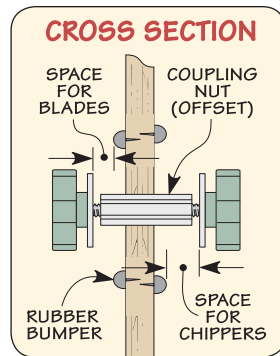
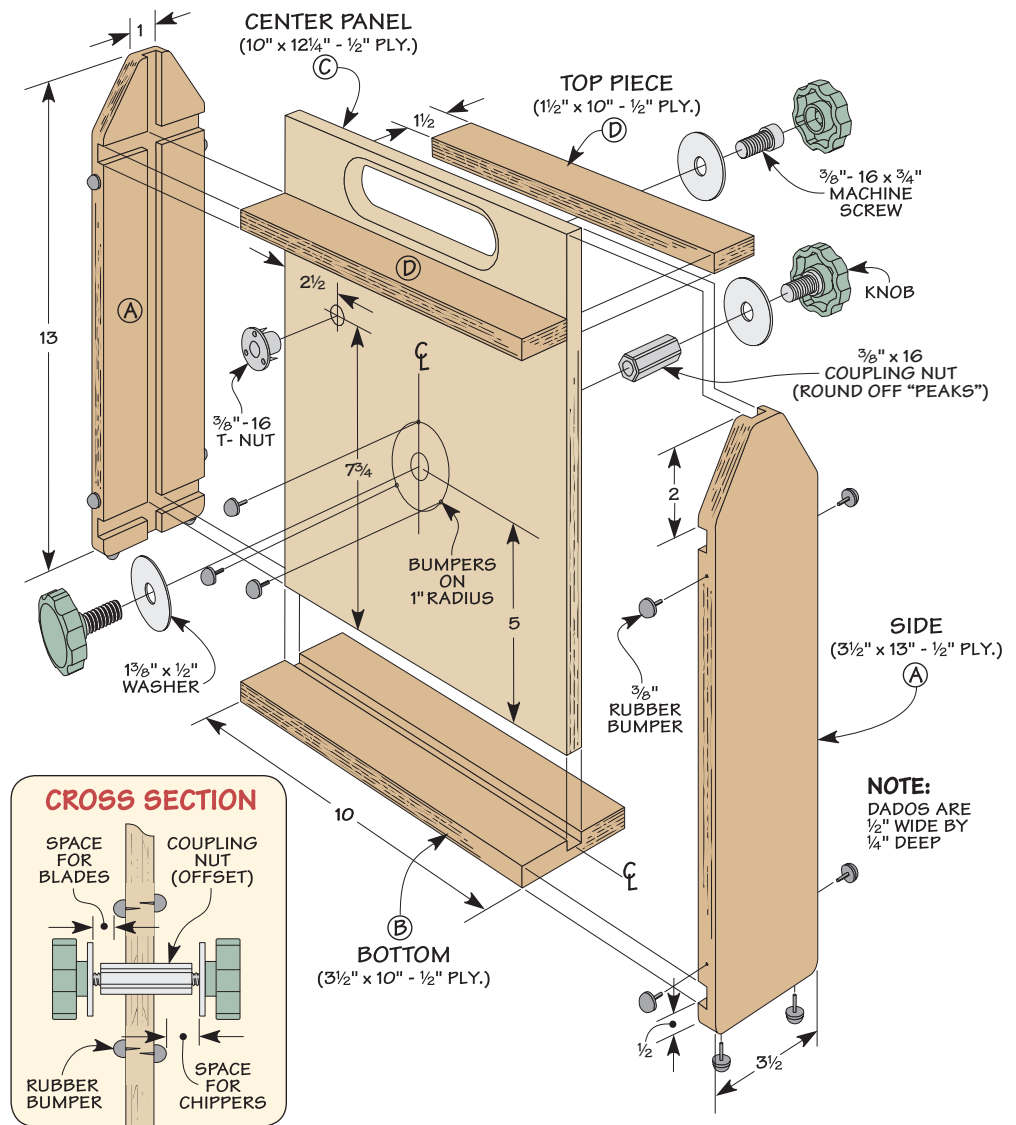
With the sides and bottom complete, turn to the center panel. The main work here is making a rounded cutout at the top of the center panel to create a comfortable handle (box below). Then drill holes for the coupling nut that holds the two scoring blades and chippers, and for the T-nut that holds the shims.

The two top pieces slip into the dados cut earlier. They are simply trimmed flush with the edges.

HARDWARE. Glue and a couple of clamps are all you need for the assembly. Once the case is assembled, a little bit of hardware will make it ready for use.

Rubber bumpers on the outside edges will help protect the case when banged around in the shop. To make it easier to lift the scoring blades and chippers off the center panel, I also added bumpers to the inside of the case.

The $\frac{3}{8}$ " coupling nut was a tad too large for the scoring blades and chippers to fit over it. So file off the "peaks" just enough to fit the arbor holes in the scoring blades and chippers. Since the chippers take



up more space than the scoring blades, the coupling nut is offset to the chipper side of the case, as you can see in the Cross Section above. Epoxy will hold both the T-nut and the coupling nut in place.

I also added knobs to the cap screws for the coupling nut to make them easier to tighten and loosen.

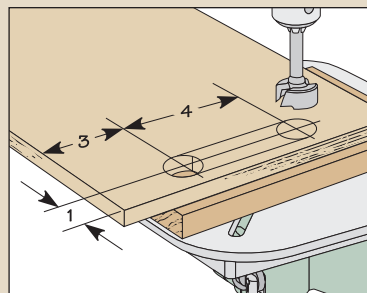
Now I have a convenient place to keep my dado blade and all of its accessories handy.

MAKING THE HANDLE

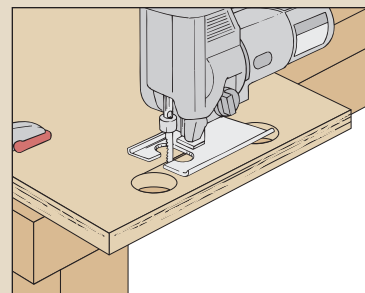
Three tools were used to make the handle for the storage case.

First, after laying out the cutout at the top of the center panel, I drilled a hole at each end with a 1" Forstner bit. Then, I used a jig saw to easily remove the waste and sanded the edges smooth.

Finally, to make the handle a bit more comfortable, I routed the sharp edges of the cutout with an $\frac{1}{8}$ " roundover bit.



Set the Boundary. You can use a 1" Forstner bit to cut a hole at each end of the handle.



Remove the Waste. Then use a jig saw to remove the waste for the handle in the center panel.