



THANK YOU!

You have successfully downloaded your *Woodsmith* project plan.

▶ [Go to Page 1](#)

Get More from Your Table Saw...at PlansNOW.com



Build our 10 BEST Table Saw Jigs!

What really makes a table saw so versatile are the jigs and accessories that improve your saw's overall performance.

▶ [Download Today at PlansNOW.com...\\$4.95](#)

You Can Build It...at PlansNOW.com



Workbenches

Good woodworking starts with a solid workbench.



Shop Jigs & Techniques

Get the most from your tools with easy-to-build shop jigs.



Cabinets & Shelves

Build stunning furniture that's both functional and beautiful.



Home Improvement

Save hundreds of dollars in remodeling when you DIY.



Woodsmith **PLANS**

PUSH BLOCK AND PUSH STICK



PUSH BLOCK

A push block doesn't have to be a simple scrap piece that you throw away after one use. This version is designed with a comfortable, practical handle and a replaceable body.



Using a push block on a table saw is just good sense: it keeps the workpiece under control and it provides a protective barrier between your hand and the saw blade.

Unlike most push sticks that stay behind the workpiece and offer little control over longer boards, this push block keeps the workpiece under control through the entire cut. (Shop Note: For an improved push stick design, see page 5.)

The size and angle of the handle make it comfortable and practical to use, but that's not the only reason for the distinctive shape. It's designed to exert forward pressure to push the

workpiece through the blade, as well as downward pressure to prevent chattering. The 2x4 body rides on edge to put extra inches of solid wood between your fingers and the blade.

REPLACEABLE BODY. Ordinary push blocks get chewed up after being run over the saw blade. This one is designed so the body and the heel can be replaced as often as needed.

This push block is particularly useful for ripping thin strips, because the heel pushes both the workpiece and the waste completely past the blade without the danger of kickback (see "Using the Push Block" on page 4). If you need to cut

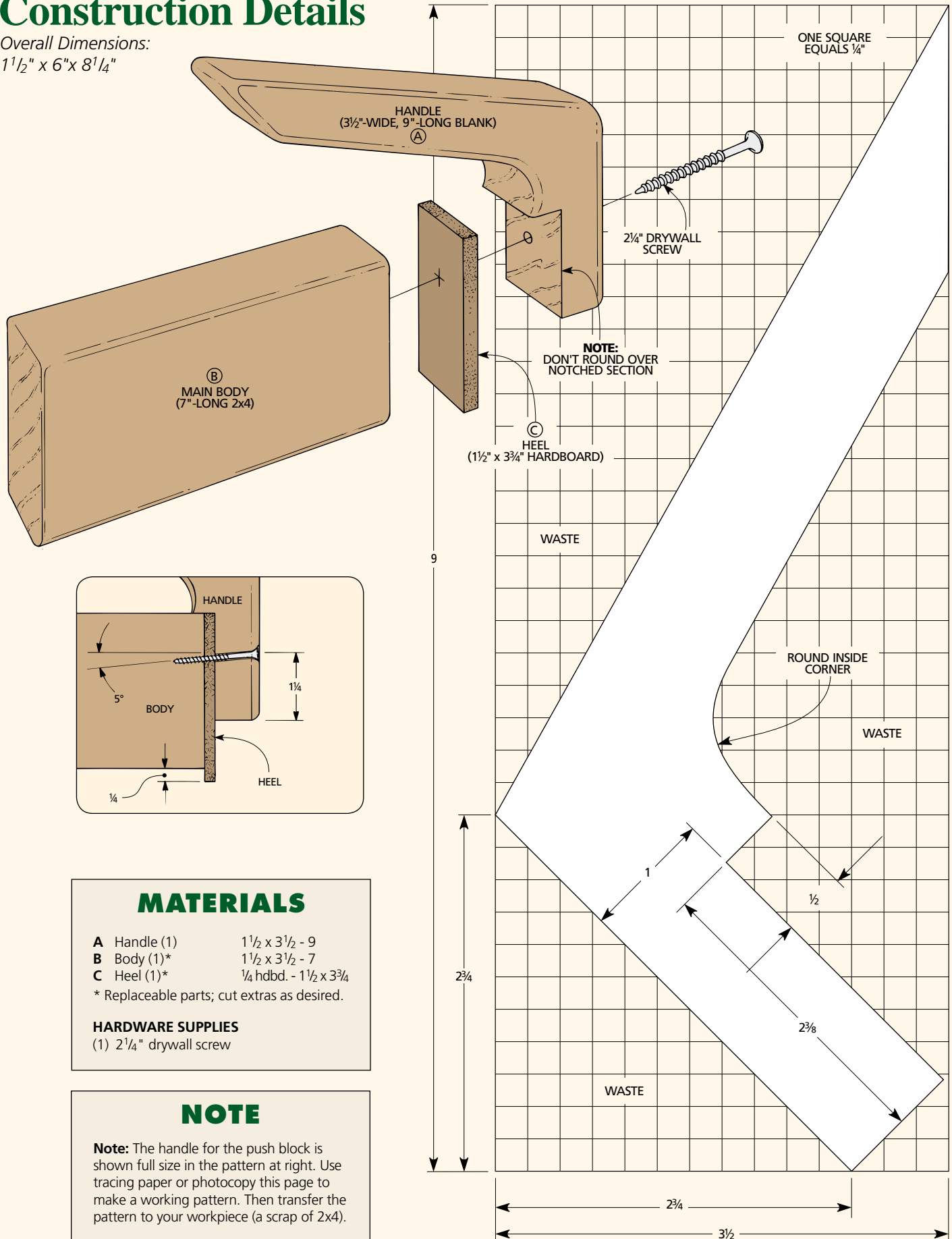
lots of narrow stock, you may prefer a block specifically designed for the purpose. You'll find one in the Shop Tip box on page 4.

MATERIALS. The body is nothing more than 2x4 scrap, and the heel is cut from hardboard. I cut the handle out of 2x4 scrap as well. However, since the handle is the part that will last a long time, you could also make it out of hardwood, if there's a suitable piece in your scrap bin.

While you're making this push block, it's worth taking time to cut several extra bodies and heels. This way you will always have replacements on hand whenever you need them.

Construction Details

Overall Dimensions:
1 1/2" x 6" x 8 1/4"



This push block has only three parts: a replaceable body (made from a scrap of 2x4), a 1/4" hardboard heel that hooks over the end of the workpiece (the heel is also replaceable), and a handle.

HANDLE. The handle (A) is the key to the whole design of this push block system, so it's worth making a good one. I cut the handle out of a scrap piece of 2x4, but any 1 1/2"-thick stock will do.

Start by cutting the handle blank 3 1/2" wide by 9" long (see the full-size pattern on page 2).

Now, lay out the pattern shown in the diagram on the blank. Then cut the handle to shape using a band saw or a jig saw.

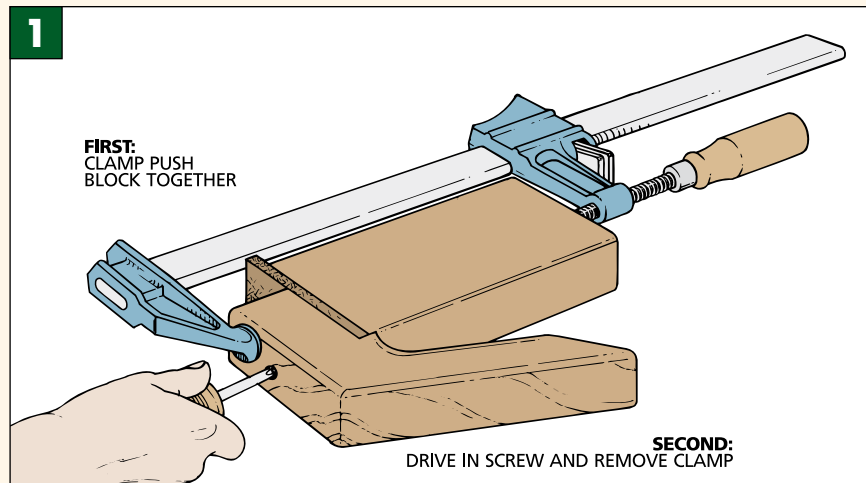
After cutting out the shape, round over the sharp edges of the handle by filing and sanding them smooth.

DRYWALL SCREW. Attach the handle to the 2x4 body through the heel with a 2 1/4"-long drywall screw (see the detail drawing on page 9).

Drill a shank hole for this screw at a slight angle (about 5°). This way, when the screw is tightened down it will pull the body and heel tight into the notch in the handle.

BODY AND HEEL. When the handle is complete, the next step is to cut out the body of the push block.

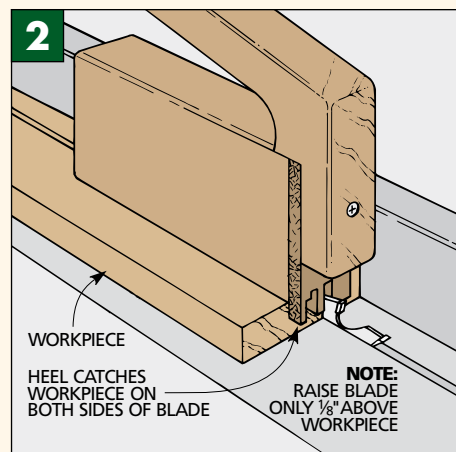
For the body (B), cut a scrap piece of 2x4 to a length of 7". You could also



use any other type of 1 1/2"-thick stock, but since the body will be replaced several times, you will probably want to use inexpensive material.

The heel (C) is cut from a piece of 1/4"-thick tempered hardboard. It's the same width as the body, or slightly less. It needs to be narrow enough not to catch on the rip fence, but also wide enough to catch the workpiece steadily on either side of the blade (refer to Fig. 2). It should extend 1/4" below the bottom edge of the body.

Note: Since the body and the heel are eventually going to get chewed up, it's a good idea to cut several of each of these pieces. This way, you'll be sure to have plenty on hand as replacements.



ASSEMBLY. To assemble the push block, clamp the parts together on a flat surface (Fig. 1). Then drive a drywall screw through the shank hole in the handle and into the body.

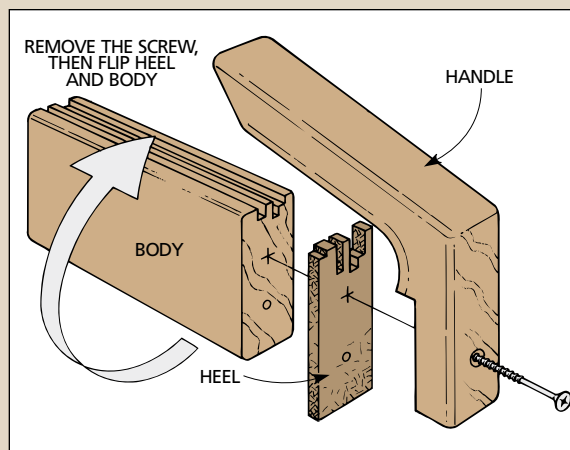
REUSING THE BODY

When I was assembling the push block (see above), I decided to use a drywall screw rather than a standard woodscrew. The reason is that the threads of a drywall screw don't require a pilot hole.

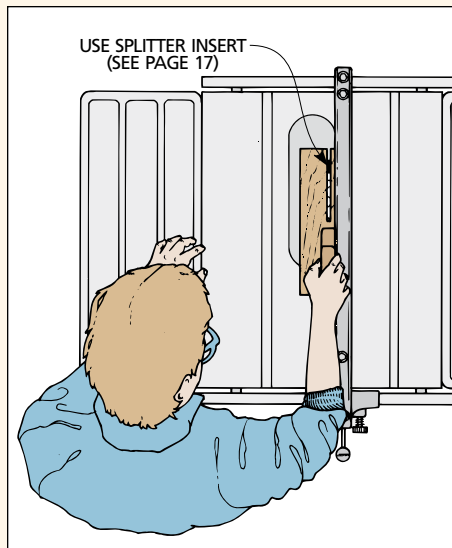
This is especially handy when it comes time to replace the heel and body of the push block after they've become too chewed up to

use. Drilling a new pilot hole for the screw every time would defeat half the purpose of having a conveniently replaceable body.

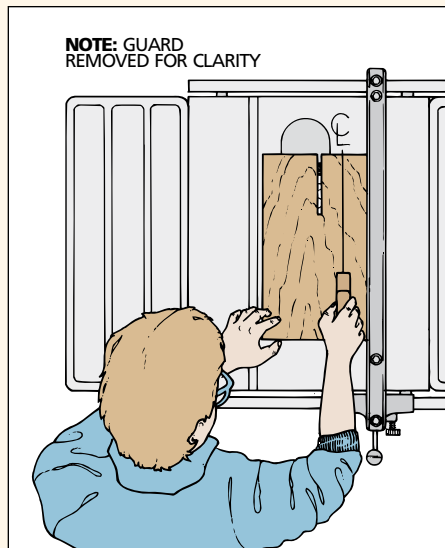
When the body and heel of the push block first get chewed up, you don't even have to replace them with new pieces. Instead, just flip both parts around and you're ready to go with a fresh edge (see drawing).



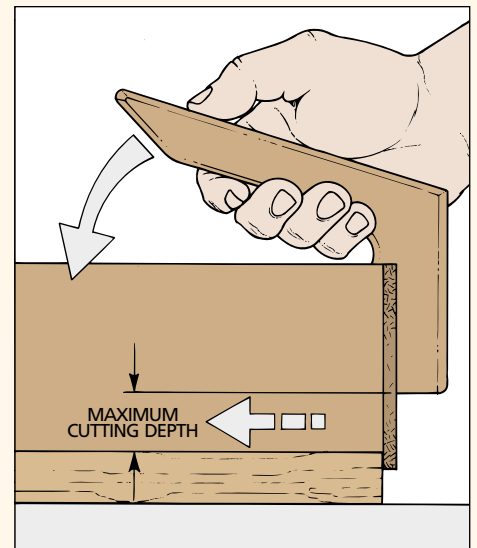
Using the Push Block



Ripping Thin Strips. This push block can be very helpful when ripping thin strips on the table saw. The body keeps the thin strip steady, while the heel pushes the thin strip smoothly through the blade without kickback.



Preventing Pull. To prevent a workpiece from pulling away from the rip fence during a cut, center the push block between the blade and fence. Then apply gentle pressure toward the fence throughout the cut.



Two-Way Fence. The angled handle not only provides a comfortable grip for your hand, but also force in two directions. It allows you to push straight ahead and also press the workpiece down (to prevent chattering).

THIN STRIP PUSH BLOCK

Sometimes when ripping thin, narrow strips from wider stock, I don't feel altogether comfortable using a push block that's designed mainly for wider stock. And it's nice having more than one option in the workshop. So I also built a special thin strip push block that straddles my rip fence (refer to Fig. 2).

This version is made from two face pieces of $\frac{1}{4}$ " hardboard and a spacer. And for different thicknesses of stock, I cut stair-step notches on the front end of the hardboard face nearest the blade.

To make this push block, start by cutting a $\frac{3}{4}$ "-thick spacer to width to match the thickness of your rip fence. The width is critical because the push block should fit snugly over the rip fence, but not so tight that it binds.

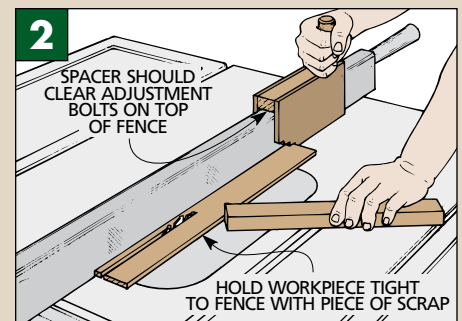
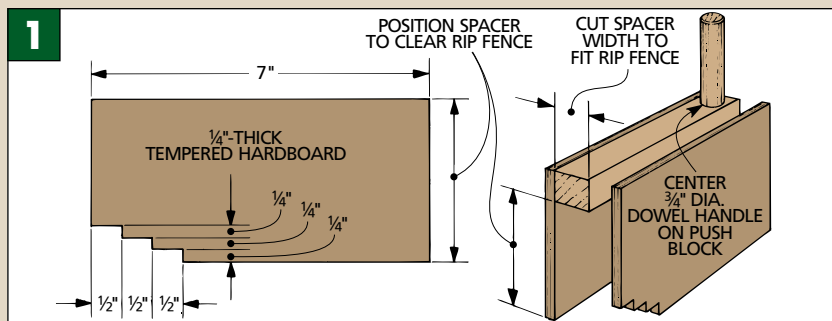
Cut the two hardboard face pieces 7" long and high enough to clear any adjustment bolts on the top of the rip fence, plus $\frac{3}{4}$ " for the thickness of the spacer (Fig. 1).

To cut the stepped cuts on the piece that faces the saw blade, lay out and cut a stair-stepped design. Each step is $\frac{1}{4}$ " high and $\frac{1}{2}$ " wide. (I cut mine using the band saw.)

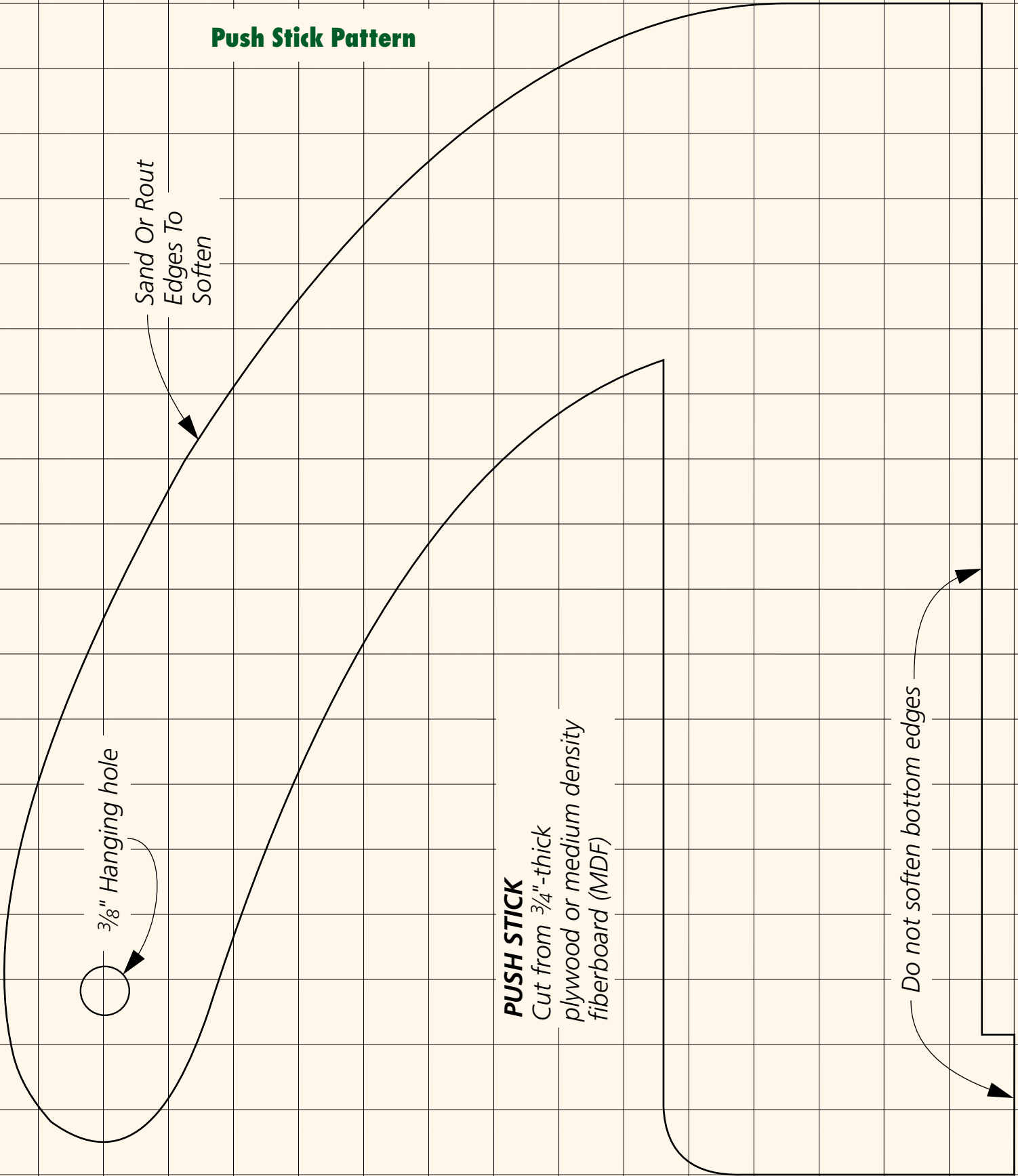
Next, glue the face pieces to the spacer so the bottom edges ride on top of the saw table and the spacer clears the top of the rip fence. Then, to get a secure grip on the push block, I drilled a $\frac{3}{4}$ "-dia. hole near the back of the spacer for a dowel.

To use this push block to rip narrow stock, first set it over the fence with the notch on the push block over the workpiece.

To help hold the stock tight against the fence, you can use a featherboard or just hold a piece of scrap against the piece while cutting (Fig. 2).



Push Stick Pattern



Sand Or Rout Edges To Soften

3/8" Hanging hole

PUSH STICK
Cut from 3/4"-thick plywood or medium density fiberboard (MDF)

Do not soften bottom edges