

Drawer-Slide Tool Mount

By: Erich Lage

An easy way to control counter space in your shop



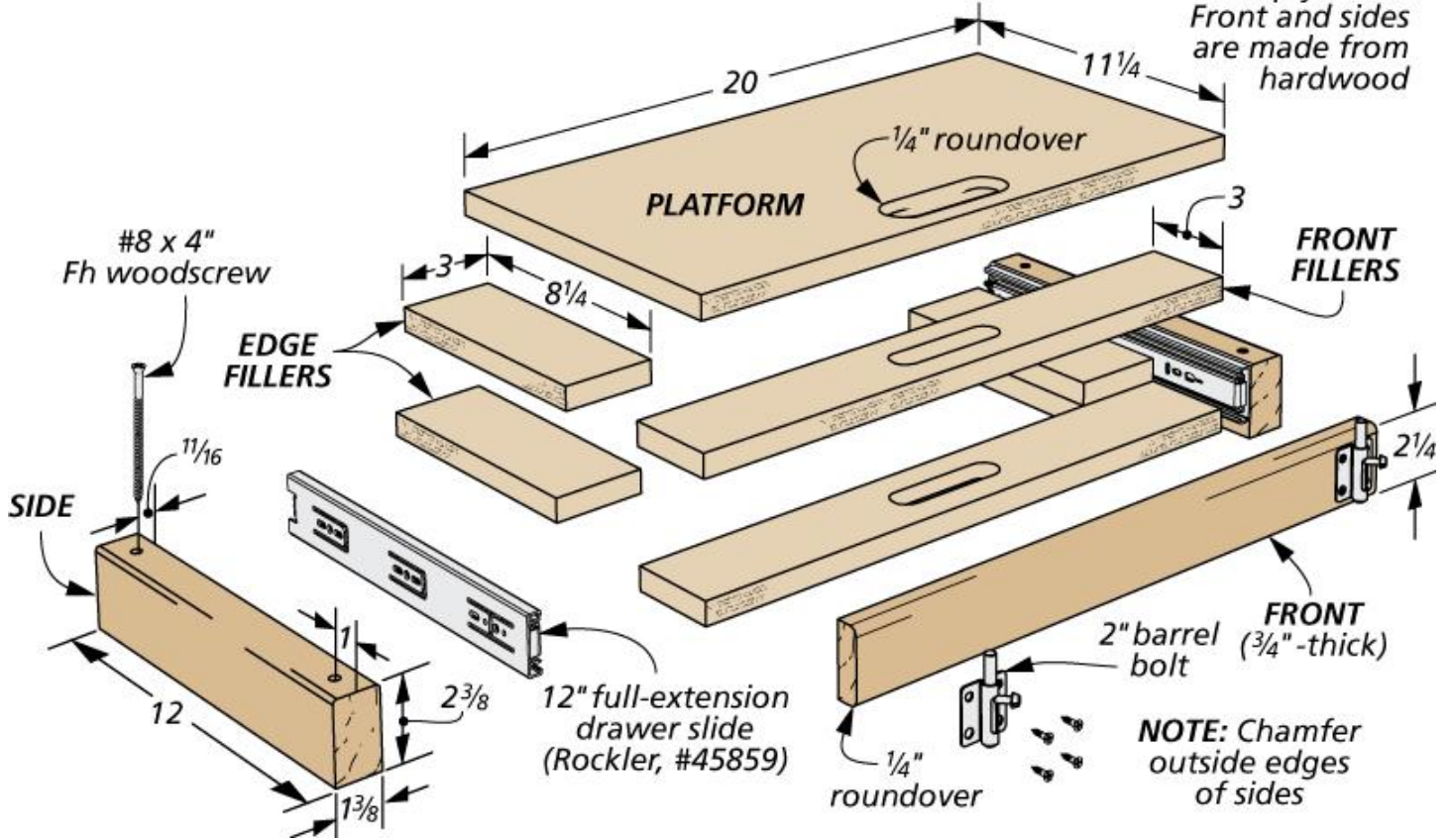
Workbench space is at a premium in my small shop. So permanently attaching bench-mounted tools (like my grinder) in a convenient position at the front edge of the bench is not an option. Instead, I made a simple pull-out platform that allows me to slide my grinder to the front edge of the workbench when I need it.



Then I simply slide it back to free up the space for other work.

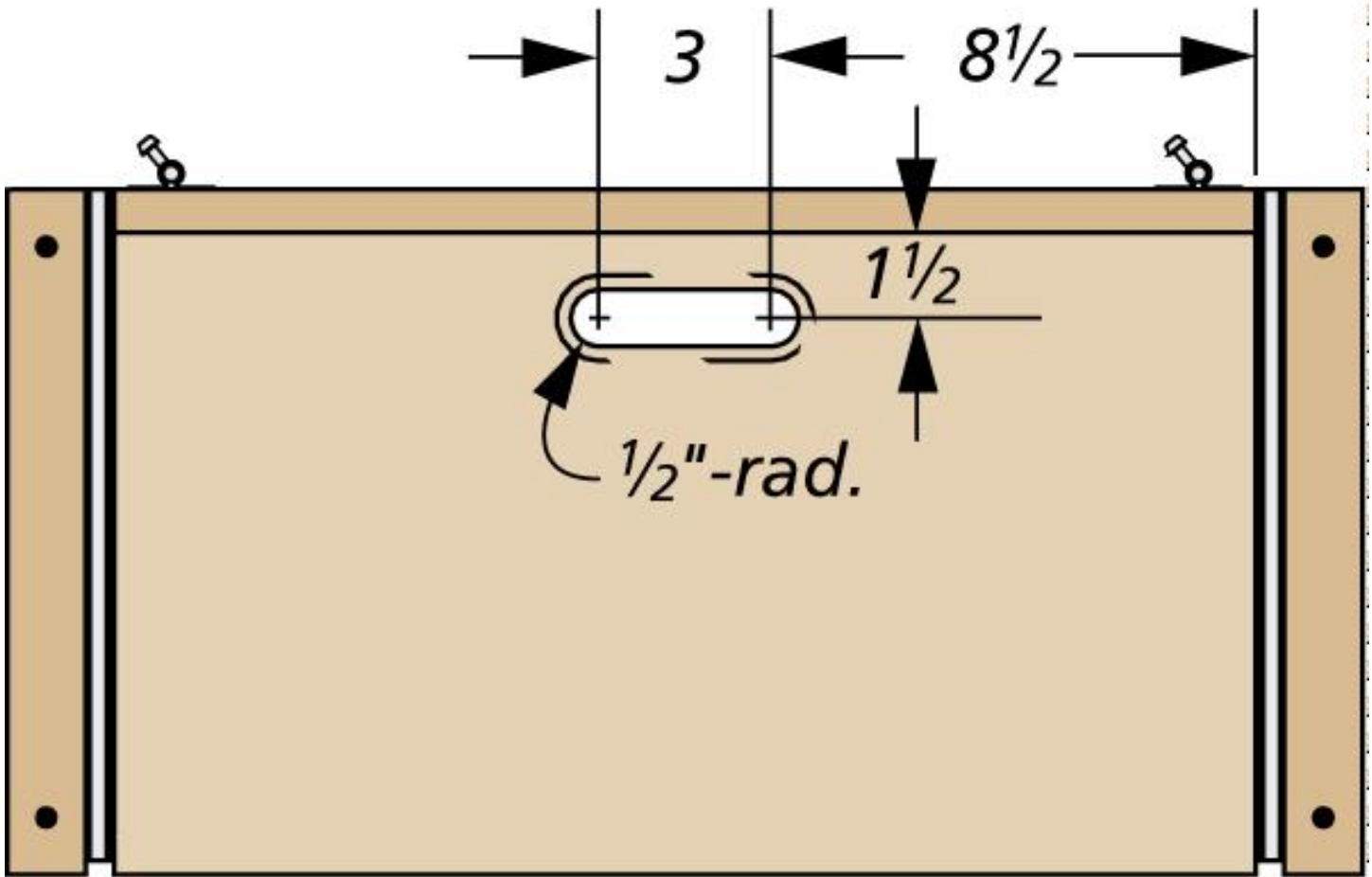
NOTE: Drawer slide length should be half the depth of workbench

NOTE: Platform and fillers are made from $\frac{3}{4}$ " plywood. Front and sides are made from hardwood



The platform is just a few layers of plywood assembled with glue. A hardwood front covers the plywood edges. A pair of full-extension drawer slides are mounted to the sides and platform. The sides are screwed to the workbench.

TOP SECTION VIEW



I added a hand-hold in the platform and front fillers for convenience.



To hold the platform in place while in use, I installed a couple of barrel bolts on the front.